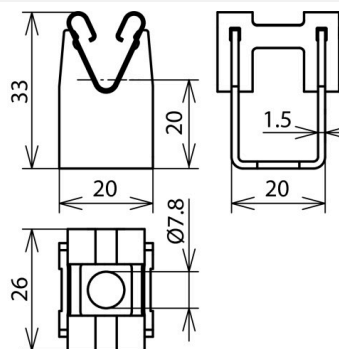


LH DG 8 H20 B7.8 V2A (207 009)



Figure without obligation



| Type | LH DG 8 H20 B7.8 V2A |
|---|----------------------|
| Part No. | 207 009 |
| Type of conductor holder | DEHNgrip |
| Height of conductor holder | 20 mm |
| Hole of conductor holder | Ø7.8 mm |
| Material of conductor holder | StSt |
| Conductor support Rd | 8 mm |
| Conductor routing | loose |
| Standard | EN 62561-4 |
| Weight | 16 g |
| Customs tariff number (Comb. Nomenclature EU) | 85389099 |
| GTIN | 4013364054882 |
| PU | 50 pc(s) |

We reserve the right to introduce changes in performance, configuration and technology, dimensions, weights and materials in the course of technical progress. The figures are shown without obligation.